

● **Cast Iron Sectional**

● **Solid Fuel Boiler**



- Cast iron sectional design for Wood logs, Hard coal and Coke firing
- 8 models with heating powers
- High corrosion resistance and long life thanks to flexible casting technology
- 3 pass flue gas circulation principle
- Primary and secondary air control
- High water efficiencies up to 75%
- Optional safety heat exchanger against excessive temperatures
- Cast iron hinges

Combustion control with;

- Thermo-regulator (natural draught)
- Double Thermo-regulator for 8 to 10 section (Front and Rear Primary air control)
- Electronic board
- Fan speed modulation
- Pellet burner options
- Safety features
- Manual ash-shaker

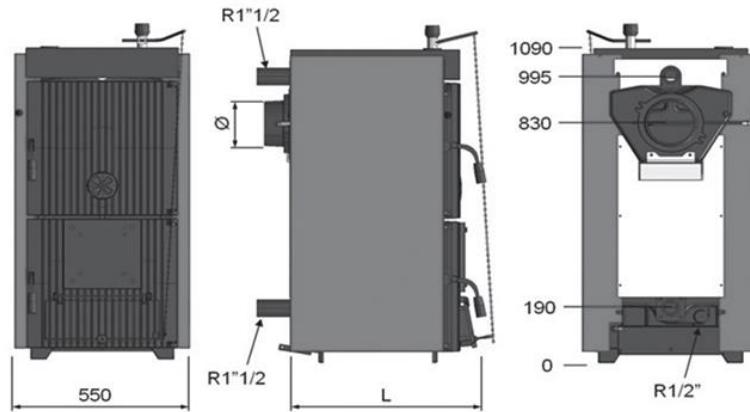


ISO 9001

CE 1783

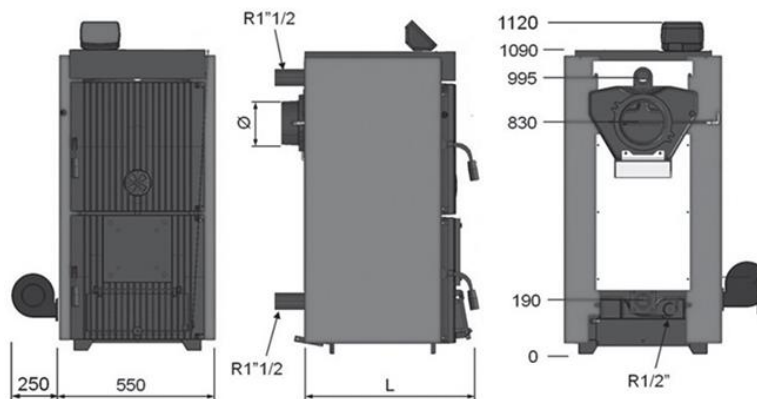


Karpat - S



BOILER MODEL		KARPAT-3S	KARPAT-4S	KARPAT-5S	KARPAT-6S	KARPAT-7S	KARPAT-8S	KARPAT-9S	KARPAT-10S	
Number of sections		3	4	5	6	7	8	9	10	
Fuel types		Wood logs - Hard coal - Pellet								
Output range	kW	15-19	21-28	28-38	36-48	44-59	52-70	60-79	68-88	
Net weight	kg	190	235	280	325	370	415	460	505	
Water content	lt	20	25	30	35	40	45	50	55	
Combustion chamber volume	dm ³	40	59	77	95	114	132	150	168	
Fuel loading volume	dm ³	26,5	38,6	50,8	62,9	75	87	99,1	111,2	
Max fuel loading dimensions	cm	30x37								
Temperature control range	°C	30 - 90								
Maximum operating temperature	°C	90								
Minimum return temperature	°C	60 (recommended)								
Safety system activated at	°C	95								
Maximum operating pressure	bar	3								
Flue outlet diameter	mm	160						180		
Waterflow/return connections	R	1 1/2"								
Height (H2)	mm	1090								
Width (A)	mm	550								
Length (L)	mm	390	490	590	690	790	890	990	1090	

Karpat - F/P



BOILER MODEL		KARPAT-4F	KARPAT-5F	KARPAT-6F	KARPAT-7F	KARPAT-8F	KARPAT-9F	KARPAT-10F		
Number of sections		4	5	6	7	8	9	10		
Fuel types		Wood logs - Hard coal - Pellet								
Output range	kW	24-34	31-43	39-54	49-66	59-76	68-86	77-95		
Net weight	kg	235	280	325	370	415	460	505		
Water content	lt	25	30	35	40	45	50	55		
Combustion chamber volume	dm ³	59	77	95	114	132	150	168		
Fuel loading volume	dm ³	38,6	50,8	62,9	75	87	99,1	111,2		
Max fuel loading dimensions	cm	30x37								
Temperature control range	°C	30 - 90								
Maximum operating temperature	°C	100								
Minimum return temperature	°C	60 (recommended)								
Safety system activated at	°C	95								
Maximum operating pressure	bar	3								
Flue outlet diameter	mm	160						180		
Waterflow/return connections	R	1 1/2"								
Height (H2)	mm	1090								
Width (A)	mm	550								
Length (L)	mm	490	590	690	790	890	990	1090		